



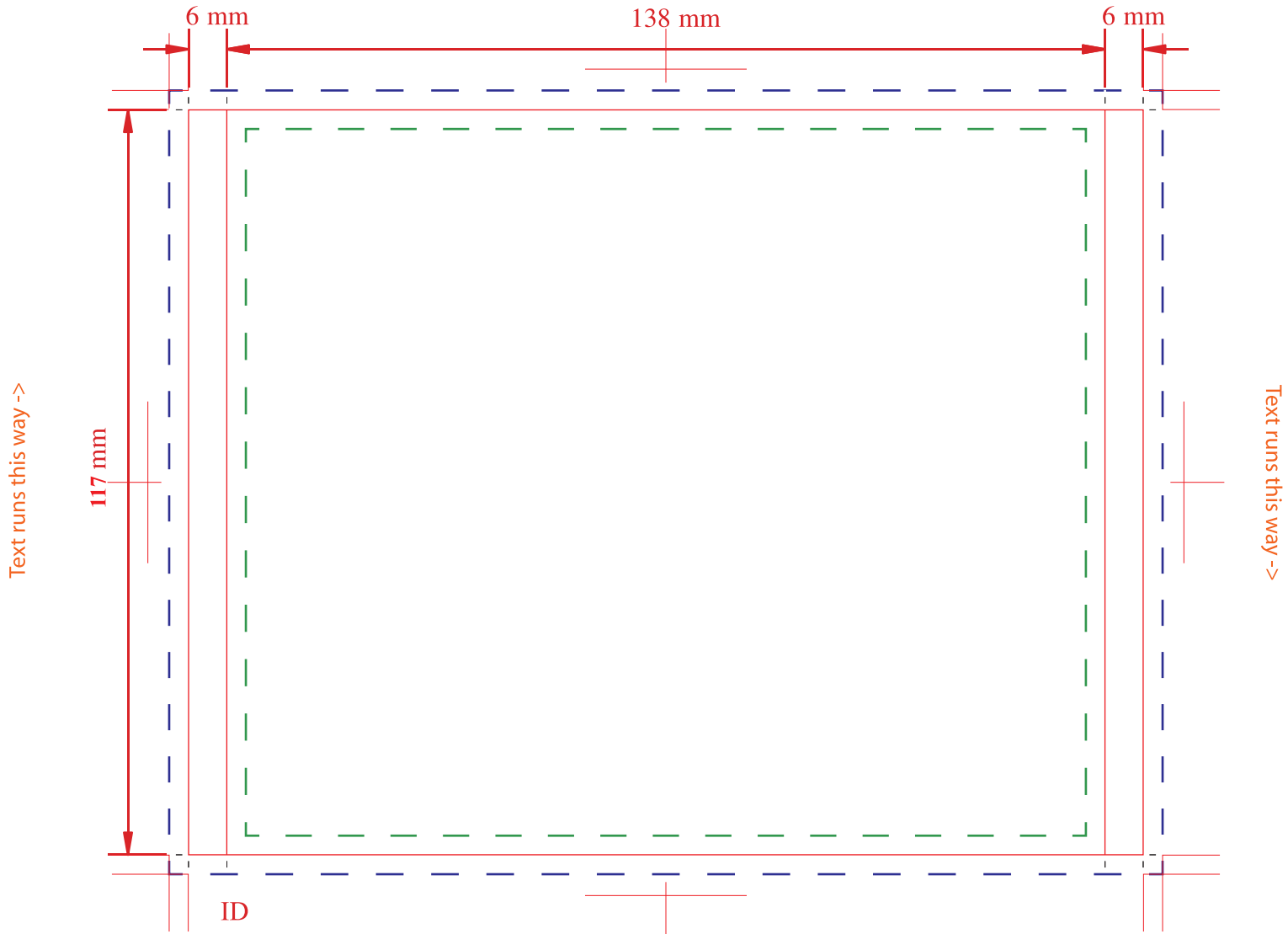
www.madcds.com.au

Finish Size: 138x6x117mm

3mm bleed must be added to all trim edges
File in CMYK format at 300 DPI
All fonts converted to curves or paths
Keep template layers and artwork layers separate

- - - - Extended Bleed Area
- - - - Text Safe Region

OUTSIDE



INSIDE

